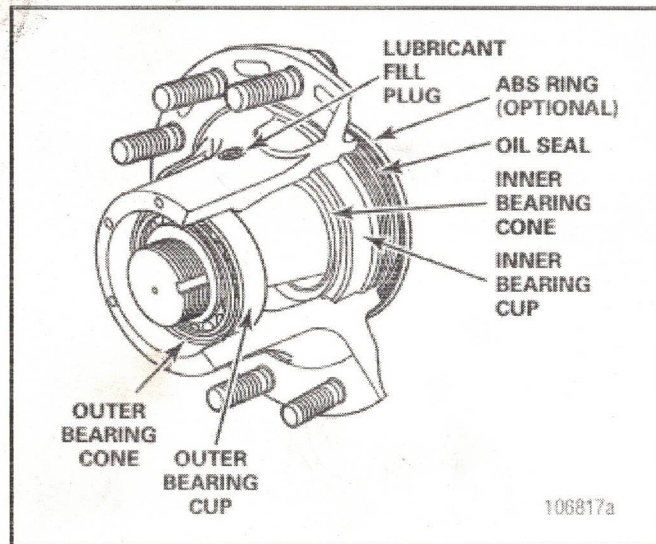
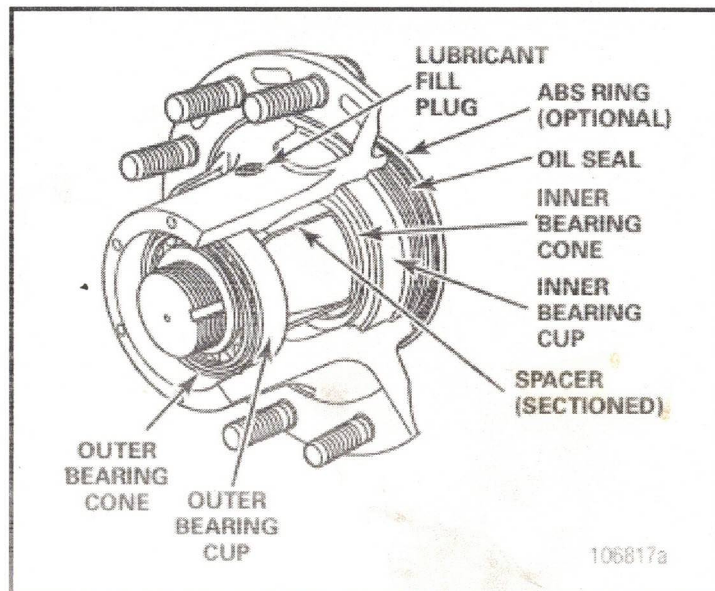


## STANDARD HUB AND COMPONENTS



## PRE-SET HUB AND COMPONENTS



## PRE-SET PLUS HUB AND COMPONENTS

